

# M - VACUUM DIAGRAMS

1992 Subaru SVX

1991-92 ENGINE PERFORMANCE  
Subaru Vacuum Diagrams

Justy, Legacy, Loyale, XT, XT6 (1991), SVX (1992)

## INTRODUCTION

This article contains underhood views of vacuum hose routing. Use these vacuum diagrams during the visual inspection portion of F - BASIC TESTING article in the ENGINE PERFORMANCE Section. This will assist in identifying improperly routed vacuum hoses which cause driveability and/or computer-indicated malfunctions.

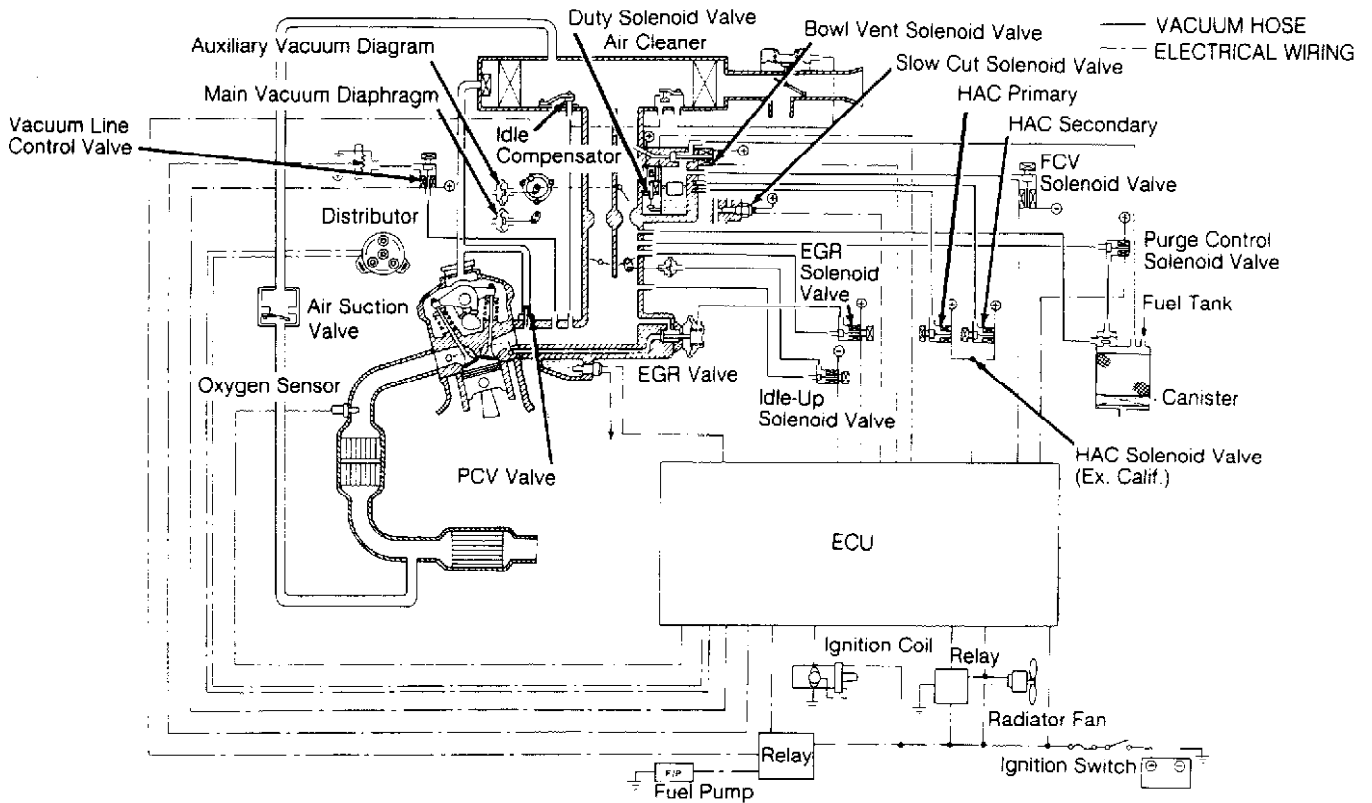


Fig. 1: Vacuum Diagram (Justy 1.2L Carbureted)  
Courtesy of Subaru of America, Inc.

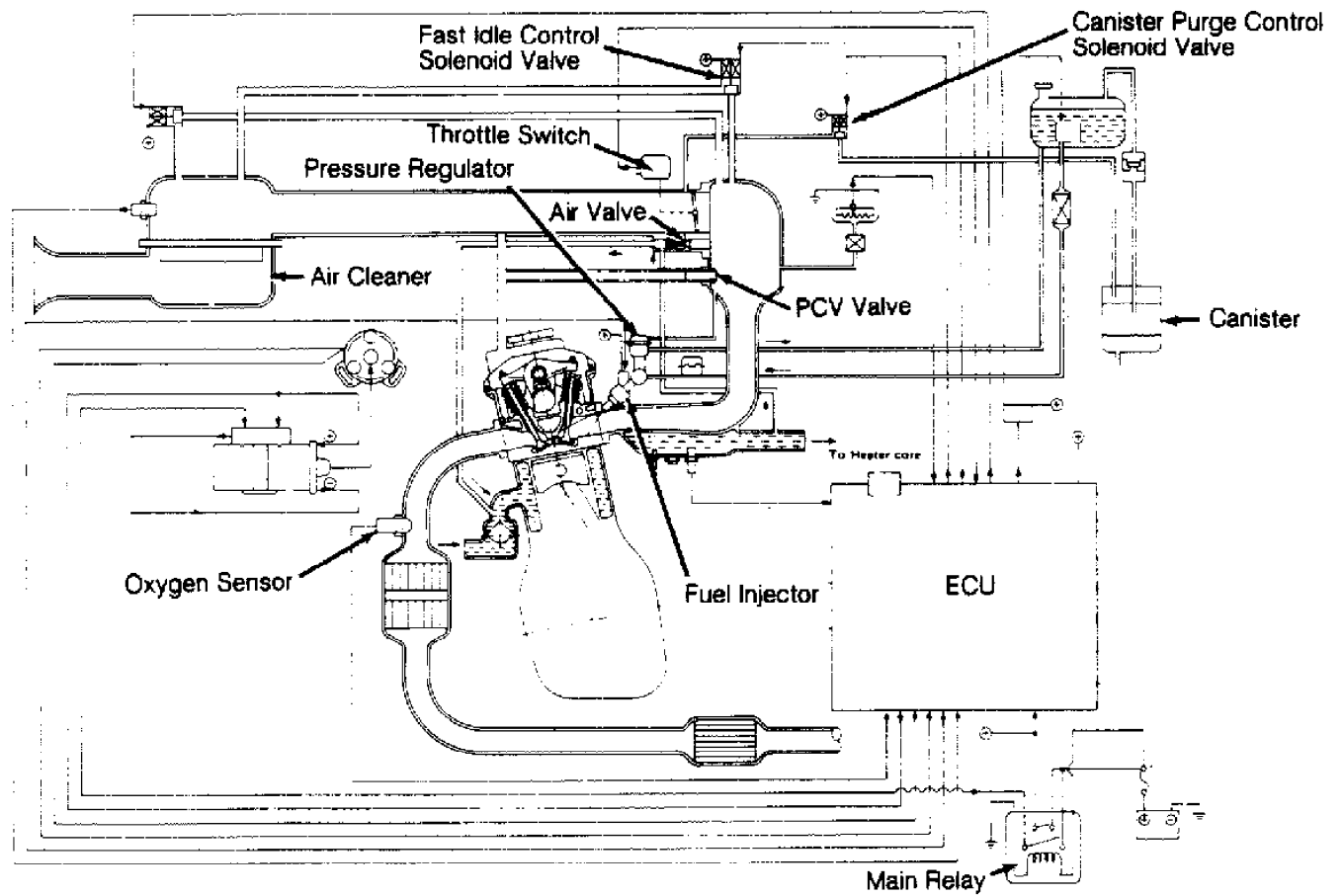


Fig. 2: Vacuum Diagram (Justy 1.2L PFI)  
 Courtesy of Subaru of America, Inc.

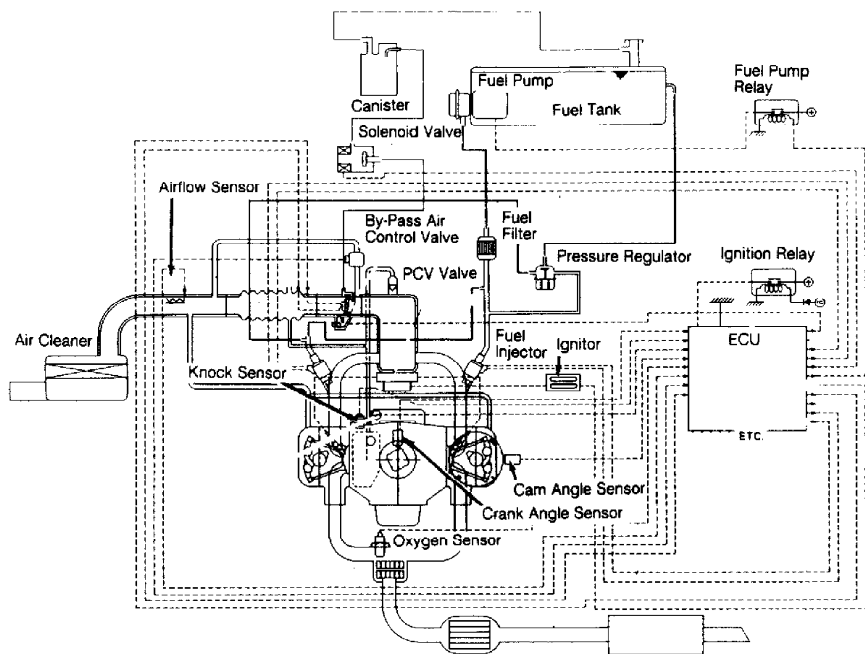


Fig. 3: Vacuum Diagram (Legacy 2.2L PFI - Non-Turbo)  
 Courtesy of Subaru of America, Inc.

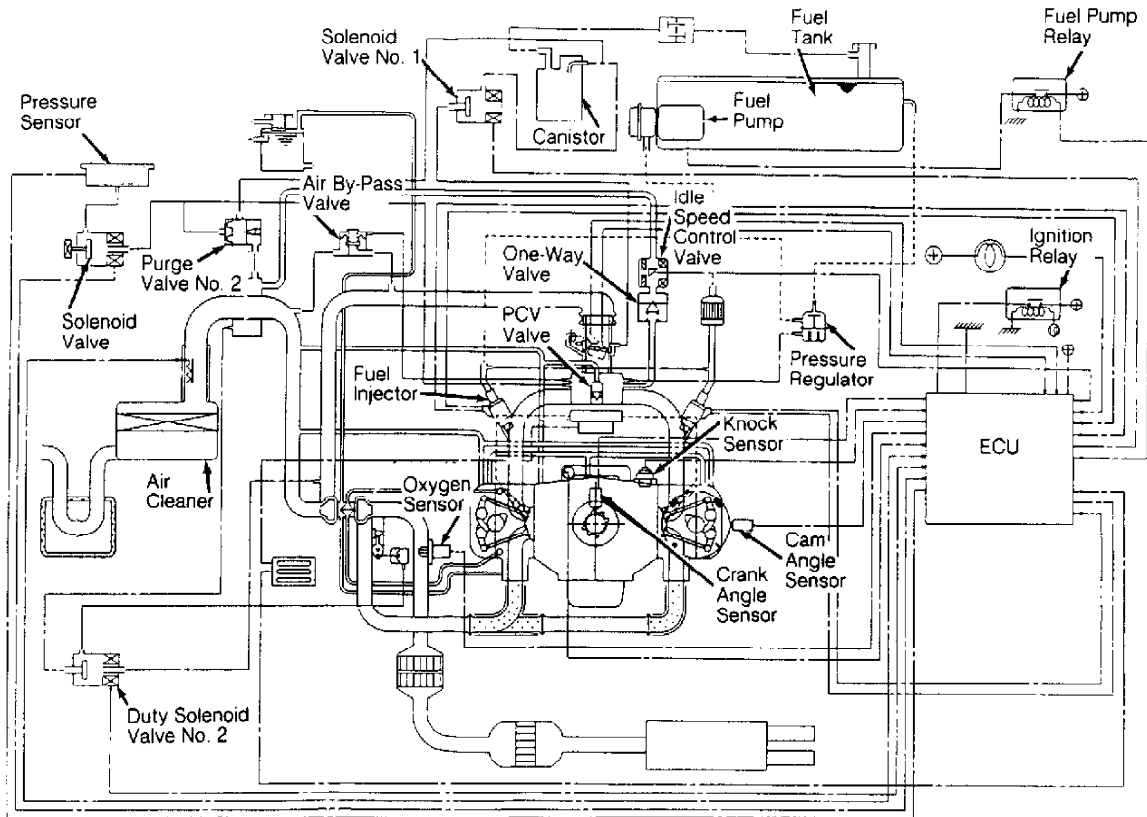


Fig. 4: Vacuum Diagram (Legacy 2.2L PFI - Turbo)  
 Courtesy of Subaru of America, Inc.

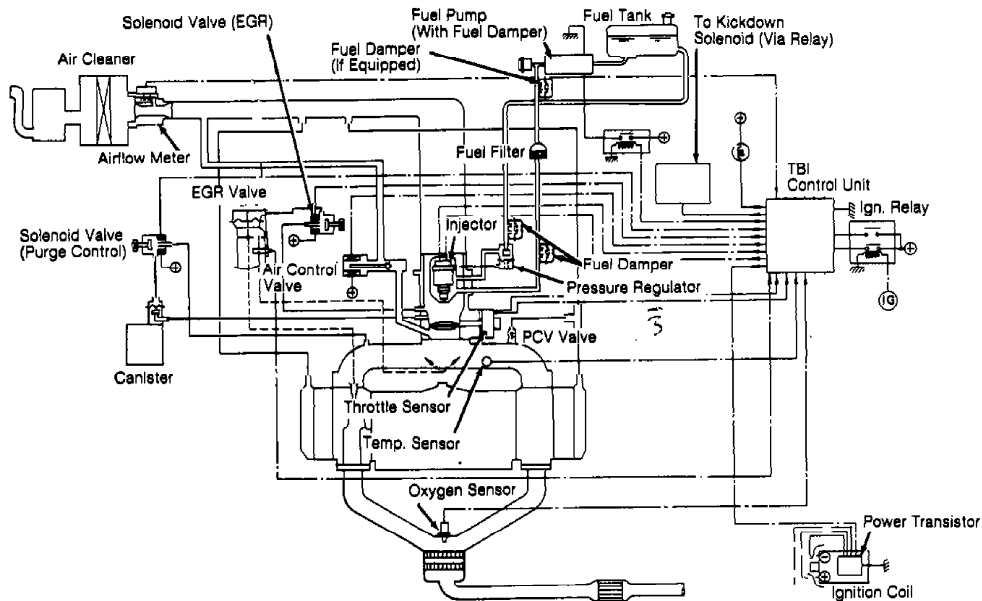


Fig. 5: Vacuum Diagram (Loyale 1.8L TBI Non-Turbo)  
 Courtesy of Subaru of America, Inc.

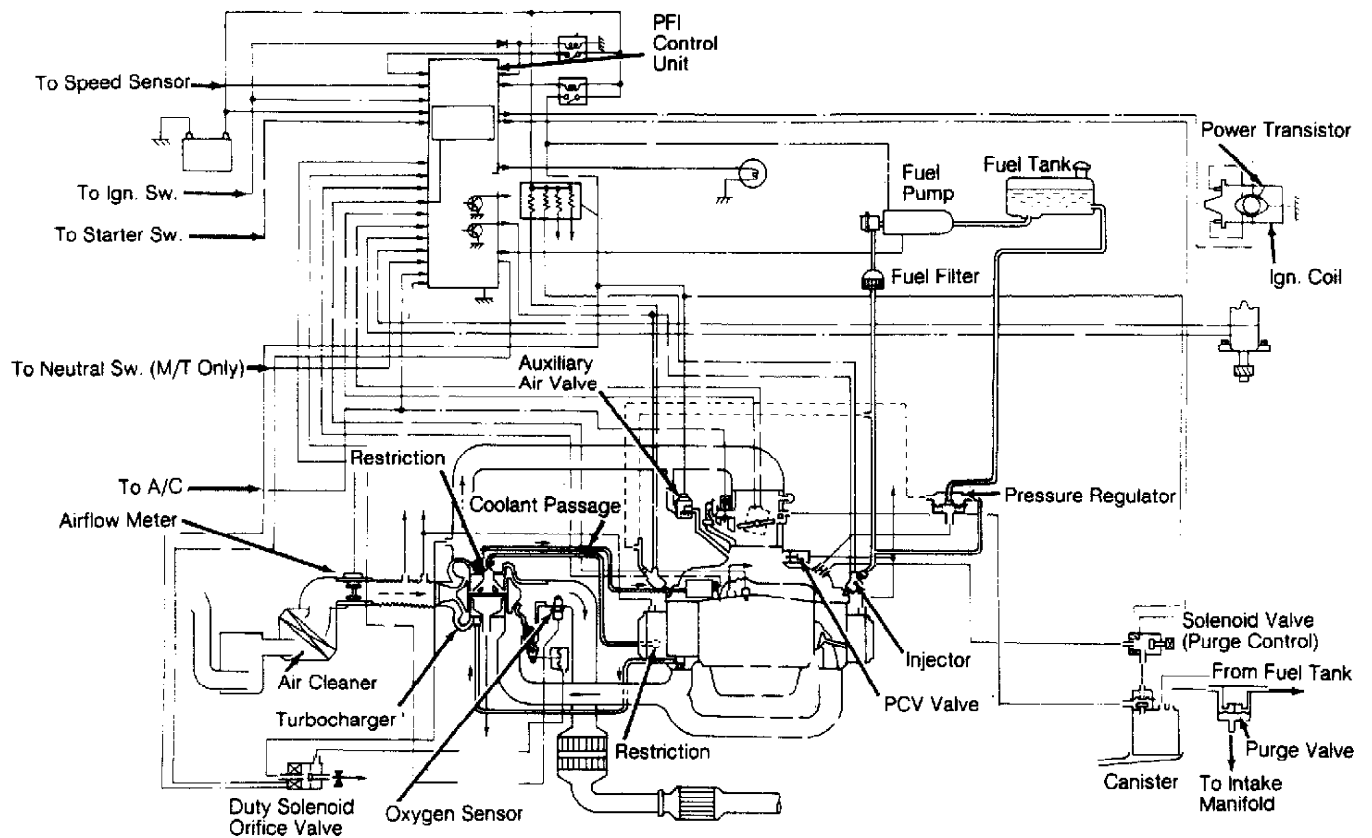


Fig. 6: Vacuum Diagram (1991 Loyale 1.8L PFI Turbo)  
 Courtesy of Subaru of America, Inc.

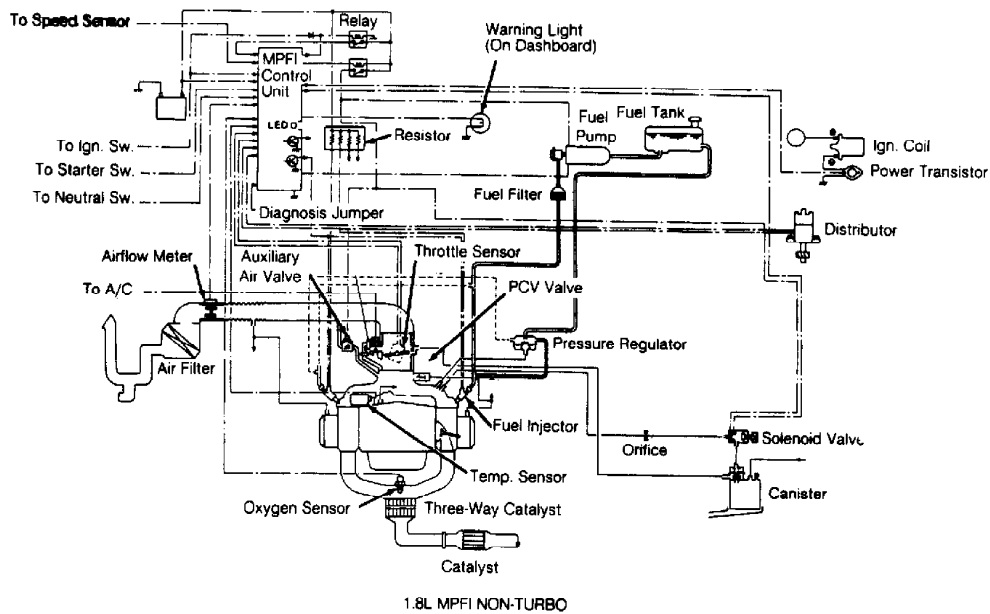


Fig. 7: Vacuum Diagram (XT 1.8L PFI)  
 Courtesy of Subaru of America, Inc.

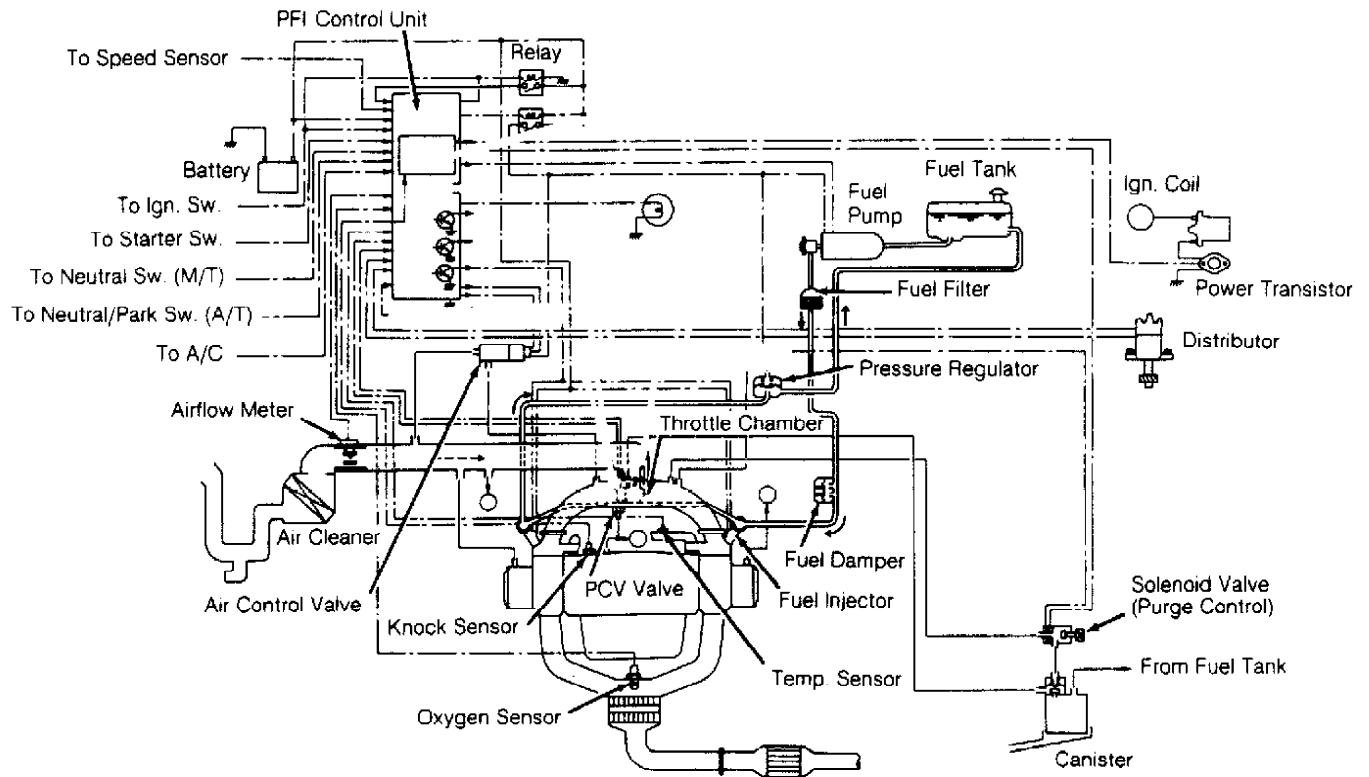


Fig. 8: Vacuum Diagram (XT6 2.7L PFI)  
 Courtesy of Subaru of America, Inc.

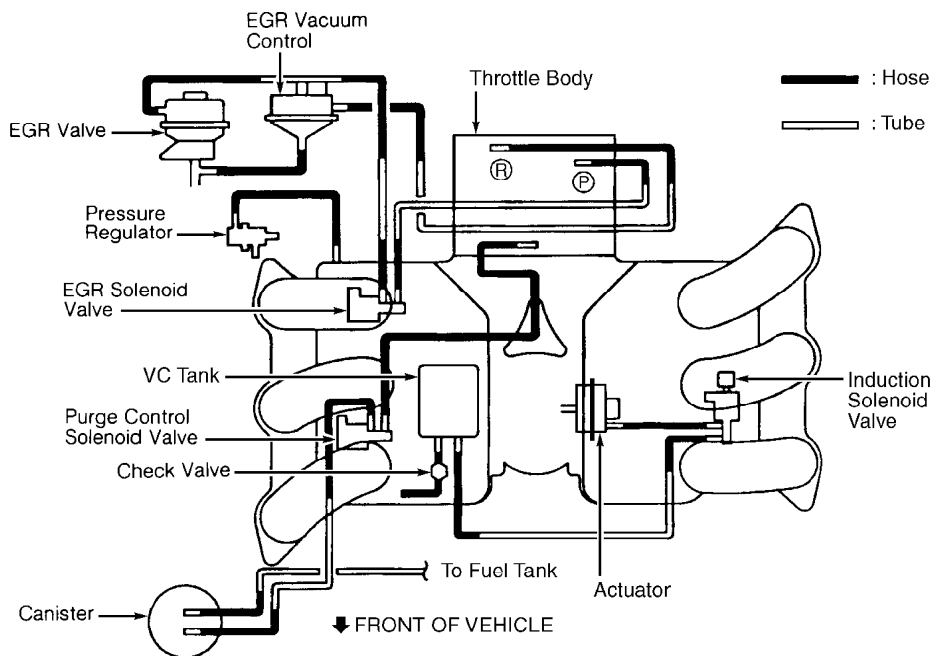


Fig. 9: Vacuum Diagram (SVX 3.3L PFI)  
 Courtesy of Subaru of America, Inc.